

WIDE STILE SLIDING DOOR TRANSOM			
Max Frame	DP	IMPACT	
95 1/4" x 36"	+/-65	NO	

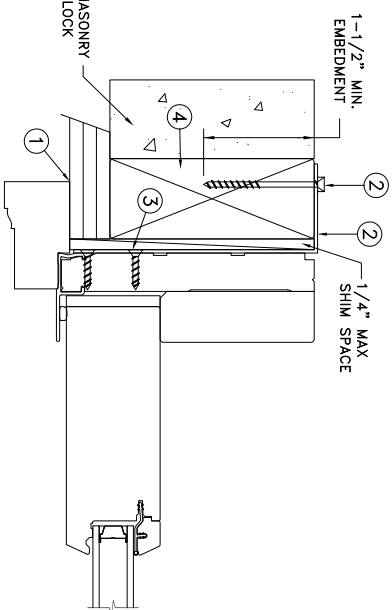
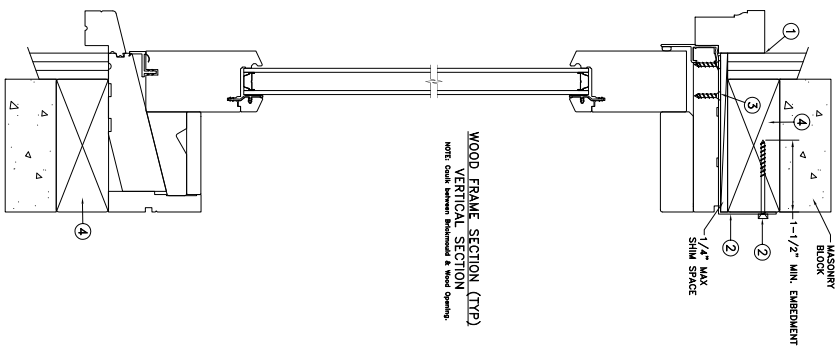
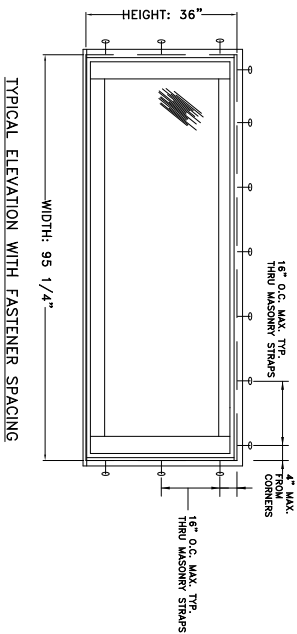
- Installation Notes:**
1. Seal flange/frame to substrate.
 2. Use #8 PH or greater fastener through the frame with sufficient length to penetrate a minimum of 1 1/2" into the wood framing. For 2x wood frame substrate (min. S.G. = 0.42)
 3. Host structure (wood buck, masonry, steel) to be designed and anchored to properly transfer all loads to the structure. The host structure is the responsibility of the architect or engineer of record for the project of installation.

- General Notes:**
1. The product shown herein is designed, tested and manufactured to comply with the wind load criteria of the adopted International Building Code (IBC), the International Residential Code (IRC), the Florida Building Code (FBC) and the industry requirement for the stated conditions.
 2. All glazing shall conform to ASTM E1300.
 3. At minimum, glazing is 3.1mm tempered - 13.0mm airspace - 3.1mm tempered glass.
 4. Use structural or composite shims where required.

REVISION		PROJECT ENGINEER:	DATE:
1/21/16 (A)	Update transom certification into new format.	DRAWN BY: J.HAWKINS	1/21/16
		CHECKED BY: C.GRAEFSCH	SCALE: NTS
		APPROVED BY: D.STOKES	JELBOWEN KIAMATH FALLS OR, 97601 PHONE: (800) 535-3936
		PART/PROJECT No.: D004573	
		IDENTIFIER No.:	PLANT NAME AND LOCATION: Rantoul-IL
			CAD DWG. No.: SitelneWDSLDR TRAN C&T
			REV: A
			SHEET

This schedule addresses only the fasteners required to anchor the window to achieve the rated design pressure and impact performance (where applicable) up to the size limitations noted. It is not intended as a guide to the installation process and does not address the sealing consideration that may arise in different wall conditions. For the complete installation procedure, see the instructions packaged with the window or go to www.jeld-wen.com/resources/installation.

DISCLAIMER:
This drawing and its contents are confidential and are not to be reproduced or copied in whole or in part or used or disclosed to others except as authorized by JELD-WEN Inc.



MASONRY INSTALLATION

FRAME JAMB SECTION (TYP)
HORIZONTAL SECTION
NOTE: Caulk between Brickmould & Wood Opening.

WIDE STILE SLIDING DOOR TRANSOM	DP	IMPACT
Max Frame	+/-	65
95 1/4" X 36"		NO

Installation Notes:

1. Seal flange/frame to substrate.
2. Use #8 PFH or larger fasteners through masonry strap with sufficient length to penetrate a minimum of 1 1/2" into the masonry or buck.. For concrete (min. f_c = 3000 psi) or masonry substrate (CMU shall adhere to ASTM C90).
3. Use #8 PFH or larger fasteners through masonry strap into jamb without penetrating through the jamb into product causing visibility or collateral damage to product.
4. Host structure (wood buck, masonry, steel) to be designed and anchored to properly transfer all loads to the structure. The host structure is the responsibility of the architect or engineer of record for the project of installation.

General Notes:

1. The product shown herein is designed, tested and manufactured to comply with the wind load criteria of the adopted International Building Code (IBC), the International Residential Code (IRC), the Florida Building Code (FBC) and the industry requirement for the stated conditions.
2. All glazing shall conform to ASTM E1300.
3. At minimum, glazing is 3.1mm tempered - 13.0mm airspace - 3.1mm tempered glass.
4. Use structural or composite shims where required.

REVISION

		PROJECT ENGINEER:	DATE:	1/21/16
		DRAWN BY:	SCALE:	NTS
		CHECKED BY:	<p>JELBOWEN 3737 LAKEPORT BLVD, KIAMATH FALLS OR, 97601 PHONE: (800) 535-3936</p>	
		APPROVED BY:		
		PART/PROJECT NO.:	<p>Siteline Wood Wide Stile Sliding Patio Door Transom Masonry Installation (95X36)</p>	
1/21/16 (A)	Updated transom certification into new format.	IDENTIFIER NO.:	PLANT NAME AND LOCATION:	Rantoul-IL
			CAD DWG. No.:	SitelineWDSLDR TRAN C&T
			REV:	A
			SHEET	

This schedule addresses only the fasteners required to anchor the window to achieve the rated design pressure and impact performance (where applicable) up to the size limitations noted. It is not intended as a guide to the installation process and does not address the sealing consideration that may arise in different wall conditions. For the complete installation procedure, see the instructions packaged with the window or go to www.jeld-wen.com/resources/installation.

DISCLAIMER:
This drawing and its contents are confidential and are not to be reproduced or copied in whole or in part or used or disclosed to others except as authorized by JELD-WEN Inc.